

# CDM Project Cycle

## - a recap and overview

Karen Holm Olsen

[kaol@risoe.dtu.dk](mailto:kaol@risoe.dtu.dk)

Botswana Second National Workshop for ACP-CD4CDM  
7-8 September, 2011, Tlotlo Conference Centre  
Gaborone, Botswana

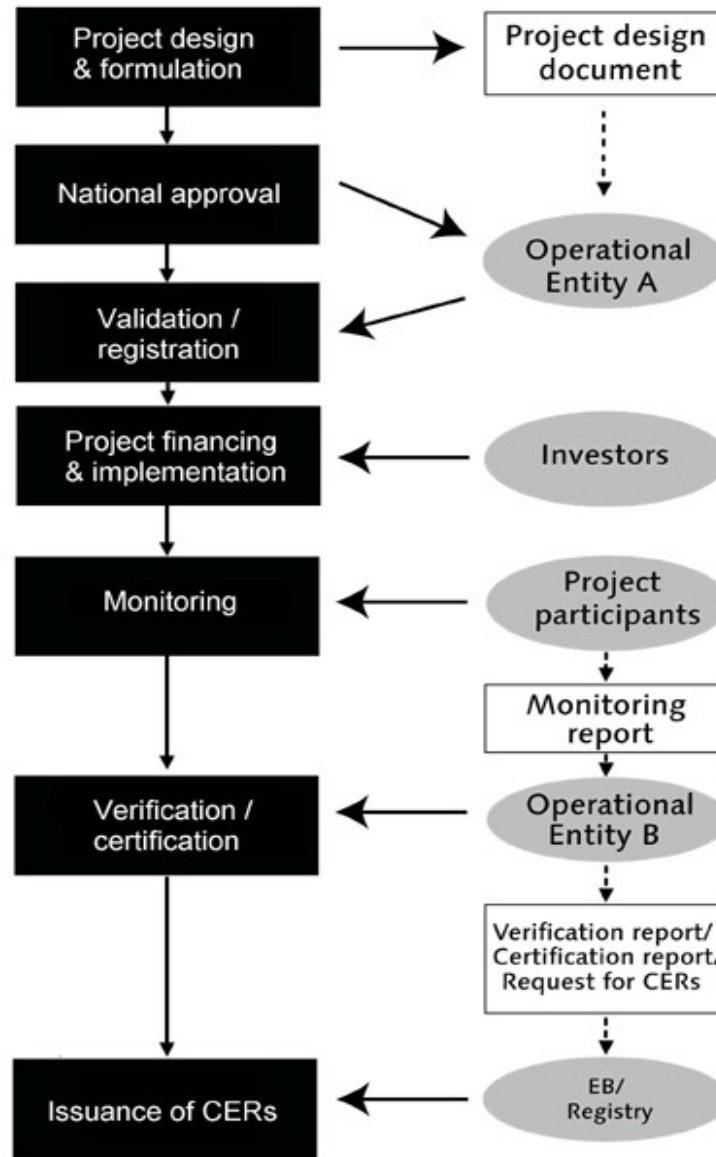
# Outline

- The project cycle – who is responsible for what?
- Three consolidated documents – draft
  - Project Cycle Procedure (PCP)
  - Project Standard (PS)
  - **Validation & Verification Standard (VVS)**
  - PoA standards: additionality, eligibility, multiple methodologies, sampling and surveys (not consolidated, under development)

# Project cycle for the CDM

Project description; Baseline methodology; Monitoring methods/plan; GHG emissions; Statement of env. impact; Stakeholder comments

National CDM Authority: Government consent; Government confirmation that the project assist in sustainable development



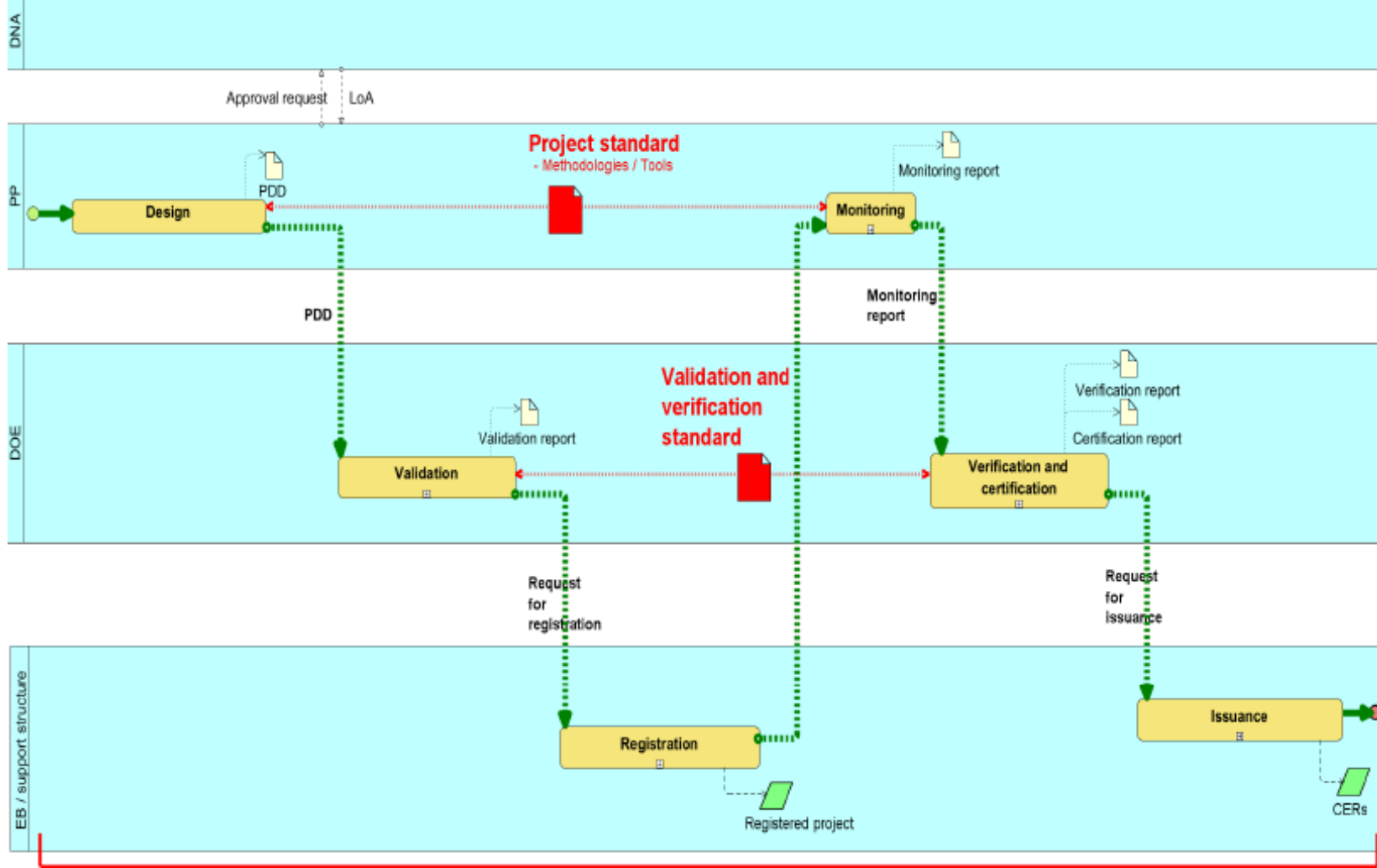
Legends:

 Activity

 Report

 Institution

Three Consolidated Documents  
- draft



Project cycle procedure

# Project Cycle Procedure (PCP)

- Specifies the roles and responsibilities for actors involved in the CDM project cycle: PPs, DOEs, EB/Secretariat & DNAs
- Consolidates all existing procedures related to **registration** of CDM projects and **issuance** of CERs in one document
- PCP Structure: (36 pages)
  - Background
  - Pre-registration activities
  - **Registration** of project activity or PoA
  - Post-registration modifications
  - Pre-issuance activities
  - **Issuance** of CERs
  - Renewal of crediting period
  - Addressing significant deficiencies in past validation, verification or certification report

# Project Standard (PS)

- For **project participants** - a starting point for development of CDM projects
- Consolidates general requirements for **project design, implementation and monitoring**
- Structure of PS: (36 pages)
  - Ch.1-5: Intro., scope, references, terms and definitions, principles
  - Ch. 6: General requirements
  - Ch. 7: Design requirements for *all* project types
  - Ch. 8-11: Design requirements for *specific* project types: SSC, AR/RE, PoAs
  - Ch. 12: Implementation and monitoring requirements for *all* project types
- Project Developers Forum: [www.pd-forum.net](http://www.pd-forum.net)

# Validation and Verification Standard (VVS)

- **For DOEs** – standards/requirements applicable to validation and verification of CDM project activities
- DOEs shall comply with the VVS to determine, whether a CDM project meets all CDM requirements, incl. those in the PS and other relevant methodologies, tools and guidelines
- Structure of VVS: (66 pages)
  - Ch. 1-5: Intro., scope, references, terms and definitions, principles
  - Ch. 6: General requirements for both validation and verification
  - Ch. 7: Validation requirements
  - Ch. 8: Verification requirements
  - Ch. 9: Renewal and changes to crediting period



# PoA standards

## **4 standards:**

- not consolidated, as PoA requirements are quickly developing
  
- 1. Demonstration of additionality
- 2. Eligibility criteria for inclusion of CPAs
- 3. Application of multiple methodologies
- 4. Sampling and surveys for CDM project activities and PoAs

All draft documents can be accessed here:

<https://cdm.unfccc.int/stakeholder/index.html>

# Summary



- CDM project cycle follows specific predefined steps involving various documentation and players
- Key documentation to provide needed reassurance: Project Design Document, LoA, Validation report and Verification report
- The key players are: Project developer, DNA, DOE and CDM Executive Board
- The emission calculations are based on the project baseline and in accordance with approved or proposed methodologies
- There are transactions costs as associated with the carbon asset development which vary with the type and complexity of the project